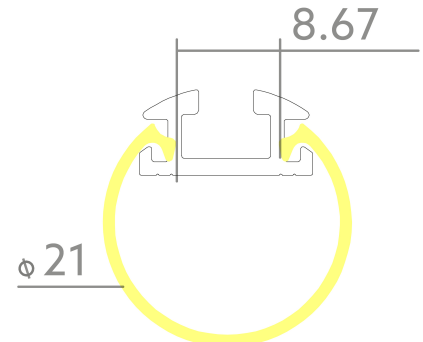


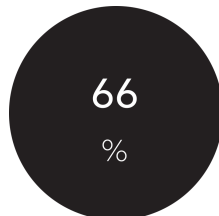
Tube cover BLine Select VX01

BLine Select VX01 cover satin round 2000mm for VT01

Article no.: 170372



Covering width



Bore/transmittance



Net height

TENDER TEXT

cover VT satinised round 240x240° 66% PMMA, D 21 x L 2000 mm BILTON LEDON Technology Tube cover BLine Select VX01 Article 170372 The Tube cover BLine Select VX01 cover can be combined with all profiles from the VT family. The cover consists of Kunststoff and has a satiniert finish with a transmittance degree of 66 %. Easy installation via into the profile. Dimension (L x W x H): 2000.0 mm x 21.0 mm x Please note that cutting tolerances of +/- 2mm may occur.

Tube cover BLine Select VX01

BLine Select VX01 cover satin round 2000mm for VT01

Article no.: 170372



MECHANICAL DATA

Material	Kunststoff
Width [mm]	21.0
Length [mm]	2000.0
Covering width [mm]	21
Colour	White
Model	Lengthwise cover
Suitable for	sonstige
Inflammability class of insulation material acc. with UL94	HB
Surfacetreatment	satiniert
Bore/transmittance [%]	66

TEMPERATURE TECHNICAL DATA

Ambient/storage temperature [°C]	+ 10 ... + 50
Inflammability class of insulation material acc. with UL94	HB
Thermal conductivity	70
Bore/transmittance [%]	66

PACKAGING INFORMATION

EAN	4250716913545
Article no.	170372
Net weight [g]	65
Gross weight [g]	65
Gross width [mm]	21.0
Gross height [mm]	21.0
Gross length [mm]	2000.0
Customs tariff number	94054231
Net width [mm]	21.0
Net height [mm]	21
Net length [mm]	2000
State of origin	DE

SAFETY INFORMATION: Read the safety and installation instructions carefully and completely before commissioning. The operating instructions can be found at: www.better-light.at

DISCLAIMER OF WARRANTY: The technical information corresponds to the status at the time of printing and have been worked out to the best of our knowledge. However, errors and printing errors are reserved. Make sure that you always use the latest version of the data sheets. The latest data sheet can be found at: www.better-light.at