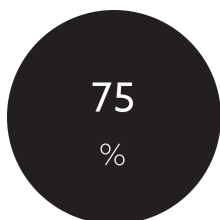
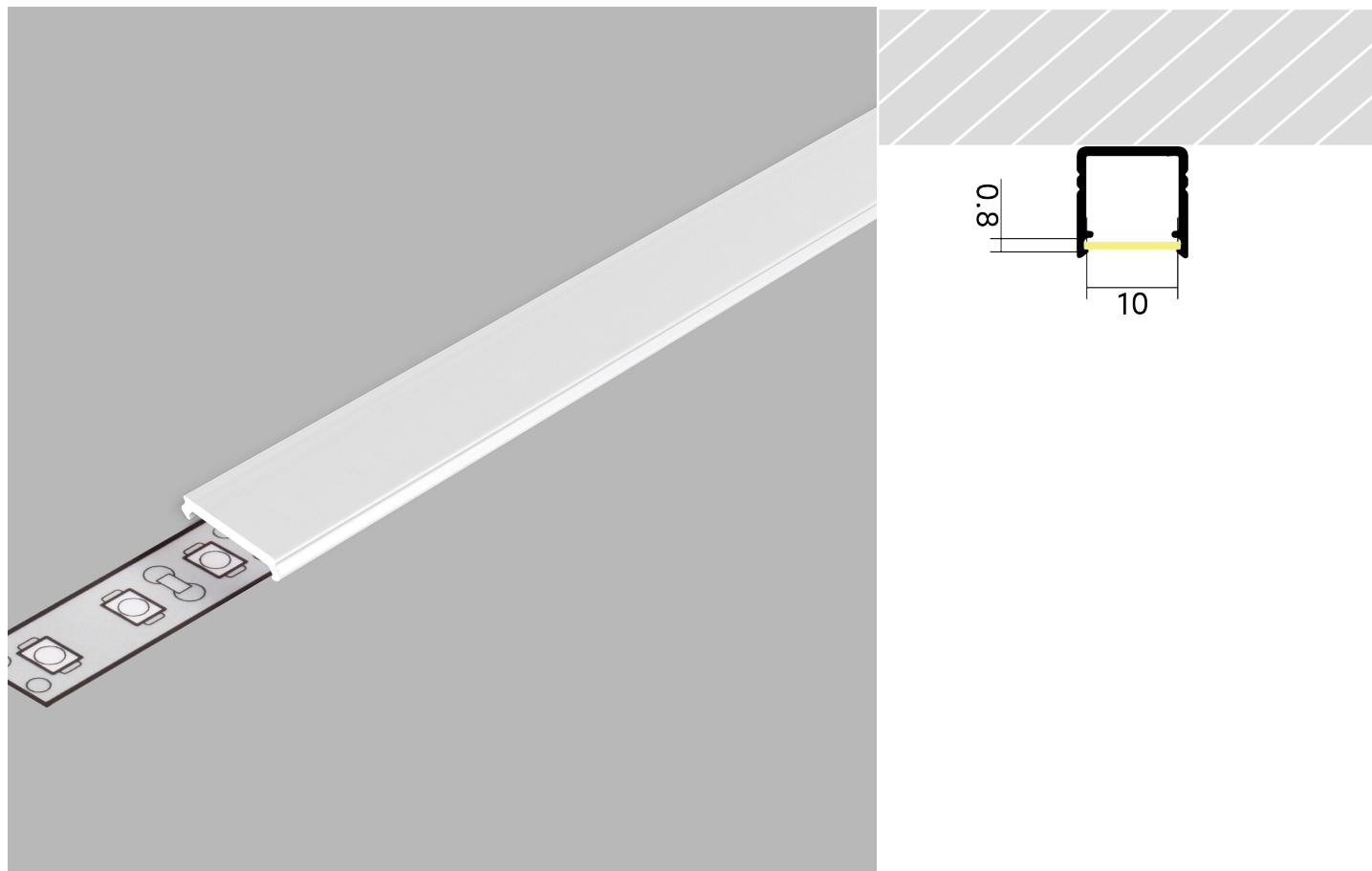


Satined cover BLine Select TX11

BLine Select TX11 cover satinated flat 2000mm for TT12

Article no.: 171240



Bore/transmittance



Net height

TENDER TEXT

Cover TX satinated flat 120x120° 75% PMMA L2000 x W10.2 x H2 mm BILTON LEDON Technology Satined cover BLine Select TX11 Article 171240 The Satined cover BLine Select TX11 cover can be combined with all profiles from the TT family. The cover consists of Kunststoff and has a satiniert finish with a transmittance degree of 75 %. Easy installation via into the profile. Dimension (L x W x H): 2000.0 mm x 10.2 mm x 2 mm Please note that cutting tolerances of +/- 2mm may occur.

Satinéd cover BLine Select TX11

BLine Select TX11 cover satinised flat 2000mm for TT12

Article no.: 171240



MECHANICAL DATA

Material	Kunststoff
Width [mm]	10.2
Length [mm]	2000.0
Colour	White
Model	Lengthwise cover
Suitable for	U - Profil
Surfacetreatment	satiniert
Bore/transmittance [%]	75

TEMPERATURE TECHNICAL DATA

Bore/transmittance [%]	75
------------------------	----

PACKAGING INFORMATION

EAN	4250716942187
Article no.	171240
Net weight [g]	26
Gross weight [g]	26
Customs tariff number	94059200
Net width [mm]	10.2
Net height [mm]	2
Net length [mm]	2000
State of origin	PL

SAFETY INFORMATION: Read the safety and installation instructions carefully and completely before commissioning. The operating instructions can be found at: www.better-light.at

DISCLAIMER OF WARRANTY: The technical information corresponds to the status at the time of printing and have been worked out to the best of our knowledge. However, errors and printing errors are reserved. Make sure that you always use the latest version of the data sheets. The latest data sheet can be found at: www.better-light.at