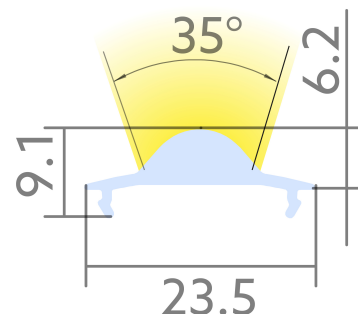


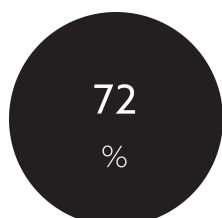
Lense symmetrical BLine Select SX30

BLine Select SX30 linear lens symmetrical 2000 mm for XT01_02_03

Article no.: 170370



Covering width



Bore/transmittance



Net height

TENDER TEXT

Cover linear lens XT, symmetrical, 35x35, 72%, PMMA, L 2000 x W 23 x H 9.1 mm BILTON LEDON Technology Lense symmetrical BLine Select SX30 Article 170370 The Lense symmetrical BLine Select SX30 cover can be combined with all profiles from the XT family The cover consists of Kunststoff and has a transparent finish with a transmittance degree of 72 %. Dimension (L x W x H): 2000.0 mm x 23.9 mm x Please note that cutting tolerances of +/- 2mm may occur.

Lense symmetrical BLine Select SX30

BLine Select SX30 linear lens symmetrical 2000 mm for XT01_02_03

Article no.: 170370



MECHANICAL DATA

Material	Kunststoff
Width [mm]	23.9
Length [mm]	2000.0
Covering width [mm]	23.5
Colour	ohne
Model	Lengthwise cover
Suitable for	U - Profil
Inflammability class of insulation material acc. with UL94	HB
Surfacetreatment	transparent

TEMPERATURE TECHNICAL DATA

Ambient/storage temperature [°C]	+ 10 ... + 50
Thermal conductivity	70
Bore/transmittance [%]	72

PACKAGING INFORMATION

EAN	4250716905854
Article no.	170370
Net weight [g]	84
Gross weight [g]	84
Gross width [mm]	23.5
Gross height [mm]	9.1
Gross length [mm]	2000.0
Customs tariff number	94054231
Net width [mm]	23.5
Net height [mm]	9.1
Net length [mm]	2000
State of origin	DE

SAFETY INFORMATION: Read the safety and installation instructions carefully and completely before commissioning. The operating instructions can be found at: www.better-light.at

DISCLAIMER OF WARRANTY: The technical information corresponds to the status at the time of printing and have been worked out to the best of our knowledge. However, errors and printing errors are reserved. Make sure that you always use the latest version of the data sheets. The latest data sheet can be found at: www.better-light.at