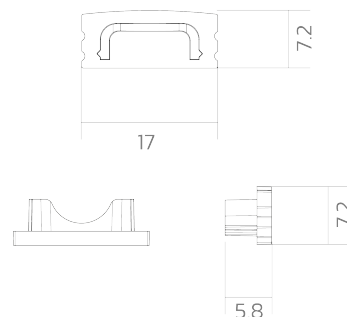
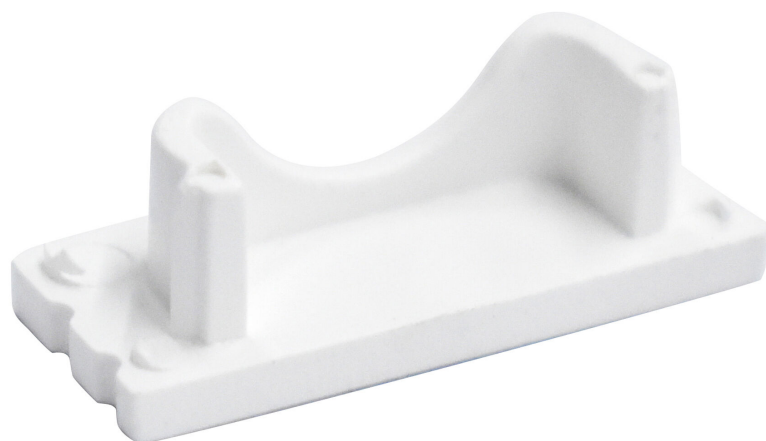


Endcap BLine-E-S-ON01

BLine E-S-ON01 Endcap white for profile P-S-ON01 and cover C-S-01 no drill

Article no.: 171773



Mit Loch



Colour

TENDER TEXT

Endcap ABS white RAL9003 (without cable hole) for surface mounted profile P-S-ON01 and cover C-S-01 BILTON LEDON Technology Endcap BLine-E-S-ON01 Article 171773 The Endcap BLine-E-S-ON01 consists of Kunststoff with a White surface. Cable hole: nein Dimensions (L x W x H): 6.0 mm x 7.2 mm x 17.0 mm



Endcap BLine-E-S-ON01

BLine E-S-ON01 Endcap white for profile P-S-ON01 and cover C-S-01 no drill

Article no.: 171773



MECHANICAL DATA

Material	Kunststoff
Width [mm]	17.0
Length [mm]	6.0
Mounting method	Aufbau
Colour	White
Model	Endkappe
Suitable for	sonstige
Mit Loch	nein
Surfacetreatment	sonstige

PACKAGING INFORMATION

EAN	4250716947229
Article no.	171773
Customs tariff number	39269097
Net width [mm]	17.0
Net height [mm]	7.2
Net length [mm]	5.8
State of origin	CN

SAFETY INFORMATION: Read the safety and installation instructions carefully and completely before commissioning. The operating instructions can be found at: www.better-light.at

DISCLAIMER OF WARRANTY: The technical information corresponds to the status at the time of printing and have been worked out to the best of our knowledge. However, errors and printing errors are reserved. Make sure that you always use the latest version of the data sheets. The latest data sheet can be found at: www.better-light.at