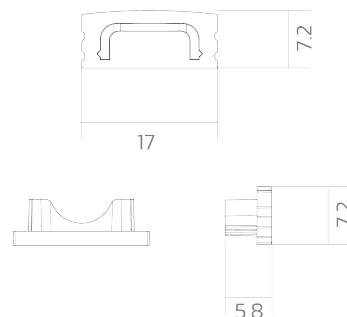


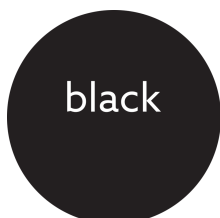
Endcap BLine-E-S-ON01

BLine E-S-ON01 Endcap black for profile P-S-ON01 and cover C-S-01 no drill

Article no.: 171772



Mit Loch



Colour

TENDER TEXT

Endcap ABS black (without cable hole) for surface mounted profile P-S-ON01 and cover C-S-01 BILTON LEDON Technology Endcap BLine-E-S-ON01 Article 171772 The Endcap BLine-E-S-ON01 consists of Kunststoff in the colour black . Cable hole: nein Dimensions (L x W x H): 5.8 mm x 7.2 mm x 17.0 mm



Endcap BLine-E-S-ON01

BLine E-S-ON01 Endcap black for profile P-S-ON01 and cover C-S-01 no drill

Article no.: 171772



MECHANICAL DATA

Material	Kunststoff
Width [mm]	17.0
Length [mm]	5.8
Mounting method	Aufbau
Colour	black
Model	Endkappe
Suitable for	sonstige
Mit Loch	nein
Surfacetreatment	sonstige

PACKAGING INFORMATION

EAN	4250716947212
Article no.	171772
Net weight [g]	2
Gross weight [g]	95
Gross width [mm]	90.0
Gross height [mm]	10.0
Gross length [mm]	130.0
Customs tariff number	39269097
Net width [mm]	17.0
Net height [mm]	7.2
Net length [mm]	5.8
State of origin	CN

* Our aluminum profiles, plastic profiles, and associated accessories are intended exclusively for use in LED lighting, especially LED strips. They serve as integral components of luminaires and are designed for this purpose. Any other use, especially any misuse outside of LED lighting, is beyond our responsibility.

We assume no liability for damages or consequential costs resulting from improper use of our products.

SAFETY INFORMATION: Read the safety and installation instructions carefully and completely before commissioning. The operating instructions can be found at: www.better-light.at

DISCLAIMER OF WARRANTY: The technical information corresponds to the status at the time of printing and have been worked out to the best of our knowledge. However, errors and printing errors are reserved. Make sure that you always use the latest version of the data sheets. The latest data sheet can be found at: www.better-light.at