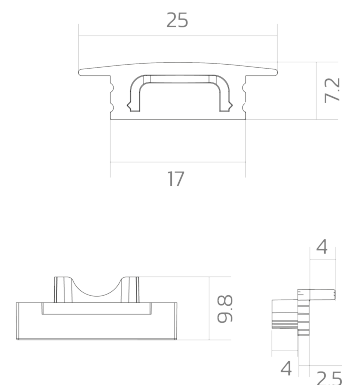


# End cap BLine-E-S-IN01

BLine E-S-IN01 Endcap white for profile P-S-IN01 and cover C-S-01 no drill

Article no.: 171770



Mit Loch



Colour

## TENDER TEXT

Endcap ABS white RAL9003 (without cable hole) for installation profile P-S-IN01 and cover C-S-01 BILTON LEDON Technology End cap BLine-E-S-IN01 Article 171770 The End cap BLine-E-S-IN01 consists of Kunststoff with a White surface. Cable hole: nein Dimensions (L x W x H): 9.8 mm x 7.2 mm x 25.0 mm



# End cap BLine-E-S-IN01

**BLine E-S-IN01 Endcap white for profile P-S-IN01 and cover C-S-01 no drill**

Article no.: 171770



## MECHANICAL DATA

Material	Kunststoff
Width [mm]	25.0
Length [mm]	9.8
Mounting method	Einbau
Colour	White
Model	Endkappe
Suitable for	U - Profil
Mit Loch	nein

## PACKAGING INFORMATION

EAN	4250716947199
Article no.	171770
Customs tariff number	39269097
Net width [mm]	25.0
Net height [mm]	7.2
Net length [mm]	9.8
State of origin	CN

SAFETY INFORMATION: Read the safety and installation instructions carefully and completely before commissioning. The operating instructions can be found at: [www.better-light.at](http://www.better-light.at)

DISCLAIMER OF WARRANTY: The technical information corresponds to the status at the time of printing and have been worked out to the best of our knowledge. However, errors and printing errors are reserved. Make sure that you always use the latest version of the data sheets. The latest data sheet can be found at: [www.better-light.at](http://www.better-light.at)