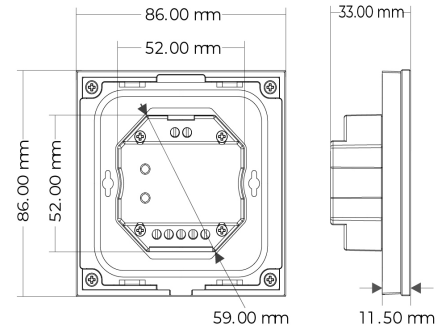


BL Touchpanel Single

BL Touchpanel Single 230VAC IP20 Wireless
Article no.: 172190



Material



Control signal



Suitable for degree of protection (IP)

TENDER TEXT

BL Touchpanel Single, 1-channel for operating a 1-channel wireless control unit, supply voltage 230 VAC, RF 2.4 GHz + DMX512, IP20, L86 x W86 x H33 BILTON LEDON Technology BL Touchpanel Single Product 172190 BL Touchpanel Single for controlling LED strips with a suitable controller. With a voltage of 230 V AC and protection class IP20. Supports 1-channel operation and can control up to 4 addresses. Multiple zones can be defined for grouping controllers. The controller features a Smart Sync function that enables the synchronisation of multiple devices. This allows several controllers to be controlled via a central control unit. Each individual controller is first programmed on the control unit; control commands are then automatically forwarded from controller to controller. Dimensions (L x W x H): 86 mm x 86 mm x 33 mm

TOP-FEATURES

- //_ Control functions Funk (optional with DMX control)
- //_ Supports 1-channel operation
- //_ Smart Sync function enables the synchronisation of multiple devices

Funk

BL Touchpanel Single

BL Touchpanel Single 230VAC IP20 Wireless

Article no.: 172190



MECHANICAL DATA

Material	Kunststoff
Width of device [mm]	86
Height of device [mm]	33
Depth of device [mm]	86
Control signal	Funk
Core cross section [mm ²]	0,5 - 2
Suitable for degree of protection (IP)	IP20

ELECTRICAL DATA

Voltage type	AC
Control signal	Funk
Nominal voltage [V]	230

CONNECTION

Connection type	Schraubklemme
Core cross section [mm ²]	0,5 - 2

TEMPERATURE TECHNICAL DATA

Ambient temperature during operating [°C]	- 30 ... + 55
---	---------------

PACKAGING INFORMATION

EAN	4250716954456
Article no.	172190
Net weight [g]	180
Gross weight [g]	206
Gross width [mm]	110.0
Gross height [mm]	58.0
Gross length [mm]	110.0
Customs tariff number	85437090
Net width [mm]	86.0
Net height [mm]	33
Net length [mm]	86
State of origin	CN

NECESSARY ACCESSORIES

Article Article no.

BL Steuerung 1 Kanal 12-48VDC 360W für LED- 172189

BL Touchpanel Single

BL Touchpanel Single 230VAC IP20 Wireless

Article no.: 172190



SAFETY INFORMATION: Read the safety and installation instructions carefully and completely before commissioning. The operation instructions for IP20 can be found at: www.better-light.at

DISCLAIMER OF WARRANTY: The technical information corresponds to the status at the time of printing and have been worked out to the best of our knowledge. However, errors and printing errors are reserved. Make sure that you always use the latest version of the data sheets. The latest data sheet can be found at: www.better-light.at