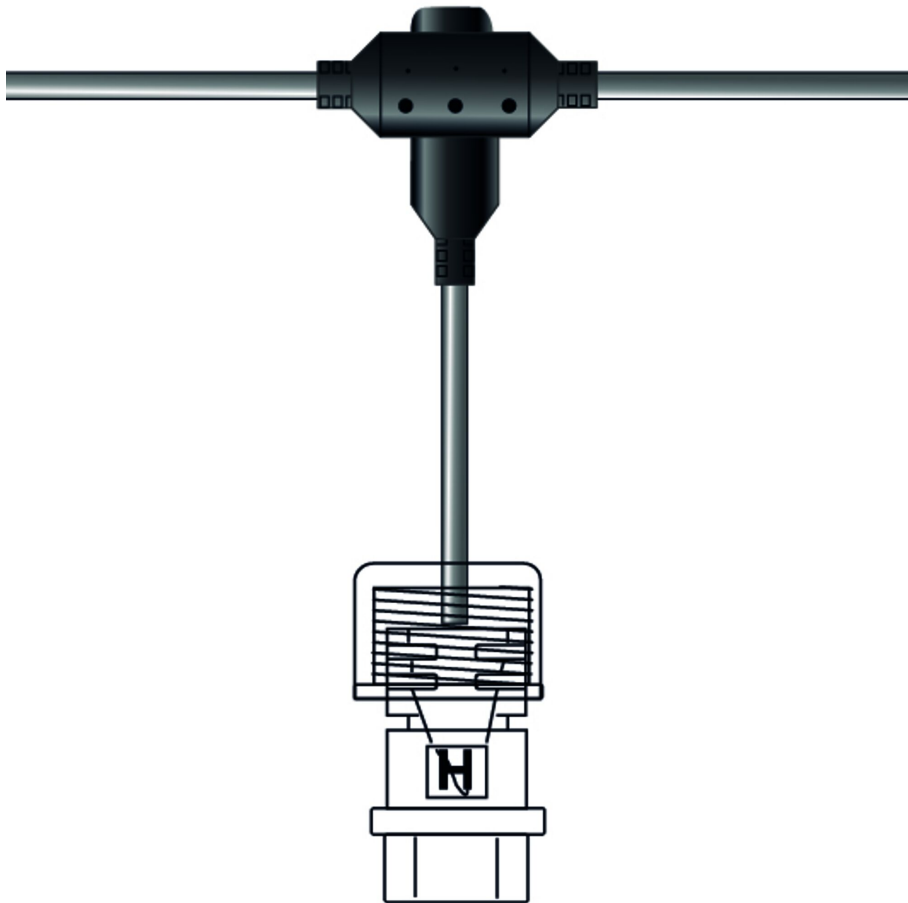


# T Connector

BL T-connector PVC for High Voltage W435 x L205 mm

Article no.: 171741



Verbinder

Type of accessory

IP65

Degree of protection (IP)

435.0  
mm

Width

## TENDER TEXT

T-connector for High-Voltage LED lighth tube, dimensions 435 x 205mm BILTON LEDON Technology T Connector Article 171741 The T Connector consists of PVC and serves as Verbinder . Dimensions (L x W x H): 205.0 mm x x



# T Connector

**BL T-connector PVC for High Voltage W435 x L205 mm**

Article no.: 171741



## MECHANICAL DATA

Width [mm]	435.0
Length [mm]	205.0
Type of accessory	Verbinder
Degree of protection (IP)	IP65

## CONNECTION

Kabelmaterial	PVC
---------------	-----

## PACKAGING INFORMATION

EAN	4250716946895
Article no.	171741
Gross width [mm]	215.0
Gross height [mm]	245.0
Gross length [mm]	20.0
Customs tariff number	85369010
State of origin	CN

SAFETY INFORMATION: Read the safety and installation instructions carefully and completely before commissioning. The operating instructions can be found at: [www.better-light.at](http://www.better-light.at)

DISCLAIMER OF WARRANTY: The technical information corresponds to the status at the time of printing and have been worked out to the best of our knowledge. However, errors and printing errors are reserved. Make sure that you always use the latest version of the data sheets. The latest data sheet can be found at: [www.better-light.at](http://www.better-light.at)