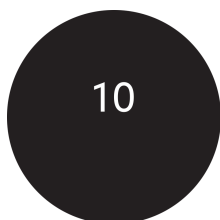
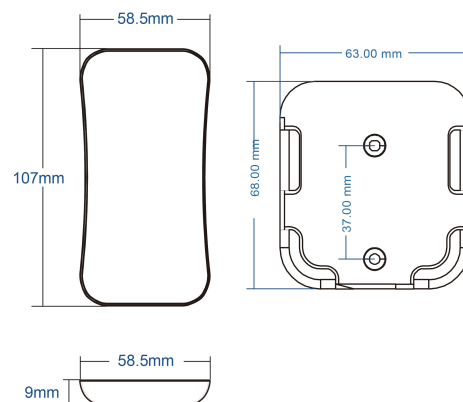


BL Remote Control Single Wireless

BL Remote Control, Single-channel

Article no.: 172191



Max. Anzahl steuerbarer
Geräte

TENDER TEXT

BL Single Remote Control for 1-channel wireless control, RF 2.4GHz, 3VDC 2032 battery (not included), IP20, L107, W58.5, H9 BILTON LEDON Technology BL Remote Control Single Wireless Item 172191 BL Remote Control Single Wireless for controlling lighting systems and compatible controllers. Power is supplied by a 3 V button cell battery (type CR2032), which is not included. Maximum number of controllable devices: 10

TOP-FEATURES

- //_ Control function (wireless)
- //_ Maximum number of controllable devices: 10
- //_ The Smart Sync function allows multiple devices to be synchronised

BL Remote Control Single Wireless

BL Remote Control, Single-channel

Article no.: 172191



PACKAGING INFORMATION

EAN	4250716954463
Article no.	172191
Net weight [g]	34
Gross weight [g]	62
Gross width [mm]	65.0
Gross height [mm]	20.0
Gross length [mm]	114.0
Customs tariff number	85437090
Net width [mm]	58.5
Net height [mm]	9
Net length [mm]	107
State of origin	CN

NECESSARY ACCESSORIES

Article	Article no.
BL Steuerung 1 Kanal 12-48VDC 360W für LED-Strip IP20 Funk	172189

SAFETY INFORMATION: Read the safety and installation instructions carefully and completely before commissioning. The operating instructions can be found at: www.better-light.at

DISCLAIMER OF WARRANTY: The technical information corresponds to the status at the time of printing and have been worked out to the best of our knowledge. However, errors and printing errors are reserved. Make sure that you always use the latest version of the data sheets. The latest data sheet can be found at: www.better-light.at