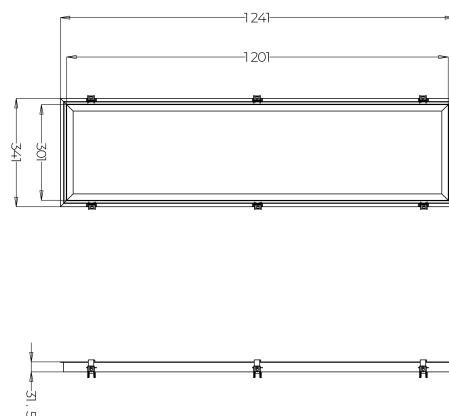
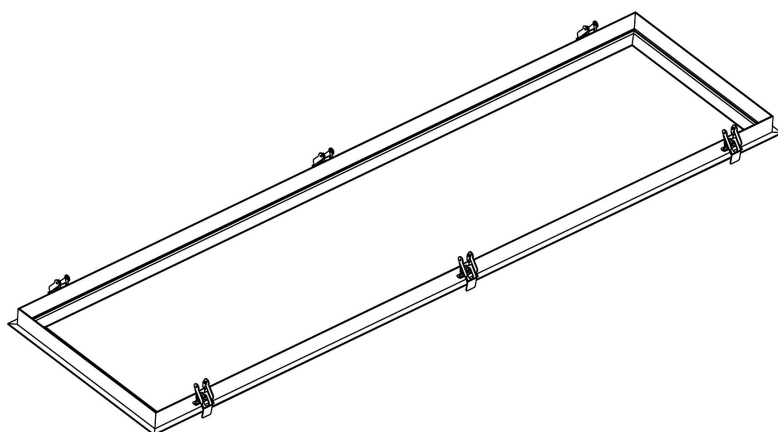


Installation frame

BL recessed mounting kit for panel 1197x297 aluminium white welded

Article no.: 719272



Material



Mounting method



Colour

TENDER TEXT

BILTON LEDON Technology Installation frame Article 719272 The Installation frame consists of Aluminium in the color White . The panel is installed using 4 springs (arranged in a 2 × 2 configuration) for the square version and 6 springs (arranged in a 3 × 2 configuration) for the rectangular version. Suitable for ceiling thicknesses of 15–30 mm. Dimensions (L x W x H): 1241.0 mm x 341.0 mm x 31.5 mm



Installation frame

BL recessed mounting kit for panel 1197x297 aluminium white welded

Article no.: 719272



MECHANICAL DATA

Material	Aluminium
Width [mm]	341.0
Length [mm]	1241.0
Height [mm]	31.5
Mounting method	Einbau
Colour	White
Type of accessory	Einbaurahmen
Transparent	nein
Accessory	Yes

PACKAGING INFORMATION

EAN	4250716954371
Article no.	719272
Net weight [g]	7200
Gross weight [g]	7200
Gross width [mm]	240.0
Gross height [mm]	400.0
Gross length [mm]	1340.0
Customs tariff number	94059900
Net width [mm]	341.0
Net height [mm]	31.5
Net length [mm]	1241
State of origin	CN

SAFETY INFORMATION: Read the safety and installation instructions carefully and completely before commissioning. The operating instructions can be found at: www.better-light.at

DISCLAIMER OF WARRANTY: The technical information corresponds to the status at the time of printing and have been worked out to the best of our knowledge. However, errors and printing errors are reserved. Make sure that you always use the latest version of the data sheets. The latest data sheet can be found at: www.better-light.at