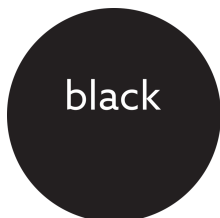
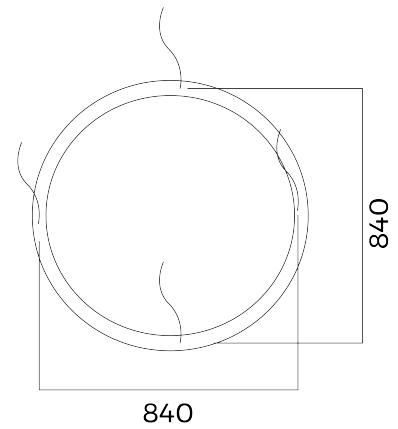


BL Loop

BL Loop profile luminaire D900mm 3600lm 40W 110D 840 black DALI

Article no.: 704008



Colour housing



Type of fastening



Rated life time L80/B10 at 25 °C



Dimming DALI

TENDER TEXT

Round LED profile luminaire including suspension, black aluminium housing, 40W, 3,600lm, 4,000K, DALI, CRI>80, 110° direct beam angle, incl. DALI power supply unit, profile size W 60 x H60mm, dimensions: D900 x H60mm Item 704008 LED ring luminaire made of Aluminium black with power supply - Yes, rated voltage AC; cover made of Plastic Opal; dimmable DALI Yes or ON/OFF; protection class IP20; flicker-free Yes; easy to install Yes; lifespan of 50000 h, Luminous flux 3600 lm, Colour temperature 4000 K, Colour reproduction >80, Beam angle 110°, Ambient temperature -20 ... +40 °C diameter 900 mm x height 60.0 mm

TOP-FEATURES

- //_ LED ring light suitable for a wide range of applications for general lighting
- //_ Available as switchable on/off or dimmable DALI version
- //_ Easy installation



BL Loop

BL Loop profile luminaire D900mm 3600lm 40W 110D 840 black DALI

Article no.: 704008



MECHANICAL DATA

| | |
|---------------------------------|----------------------|
| Material housing | Aluminium |
| Colour housing | black |
| Width [mm] | 900.0 |
| Length [mm] | 900.0 |
| Height [mm] | 60.0 |
| Diameter [mm] | 900 |
| Mounting method | Surface / Suspension |
| Lamp type | LED austauschbar |
| Type of fastening | Wire rope |
| Material of the cover | Plastic Opal |
| Degree of protection (IP) | IP20 |
| With lamp | Yes |
| Control gear included | Yes |
| Suspension included in delivery | Yes |

ELECTRICAL DATA

| | |
|---------------------------|-----------|
| Protection class | III |
| Voltage type | AC |
| Nominal voltage [V] | 220 - 240 |
| Operating frequency [Hz] | 50 / 60 |
| Overall efficiency [lm/W] | 90 |
| Max. system power [W] | 40 |
| Power factor | 0.9 |
| Dimming DALI | Yes |

LIGHT TECHNICAL DATA

| | |
|---|-------------|
| Beam angle [°] | 110 |
| Colour rendering index CRI | >80 |
| Light exit | direkt |
| Light distribution | Symmetrical |
| Rated luminous flux according to IEC 62722-2-1 [lm] | 3600 |
| Colour temperature [K] | 4000 |
| Colour of light | White |
| Colour consistency (McAdam ellipse) | SDCM6 |
| Flicker-free | Yes |

TEMPERATURE TECHNICAL DATA

| | |
|---|---------------|
| Ambient temperature during operating [°C] | - 20 ... + 40 |
| Rated life time L80/B10 at 25 °C [h] | 50000 |

BL Loop

BL Loop profile luminaire D900mm 3600lm 40W 110D 840 black DALI

Article no.: 704008



PACKAGING INFORMATION

| | |
|-----------------|---------------|
| EAN | 9009453033314 |
| Article no. | 704008 |
| Net width [mm] | 900.0 |
| Net height [mm] | 60 |
| Net length [mm] | 900 |
| State of origin | CN |

SAFETY INFORMATION: Read the safety and installation instructions carefully and completely before commissioning. The operating instructions can be found at: www.better-light.at

DISCLAIMER OF WARRANTY: The technical information corresponds to the status at the time of printing and have been worked out to the best of our knowledge. However, errors and printing errors are reserved. Make sure that you always use the latest version of the data sheets. The latest data sheet can be found at: www.better-light.at