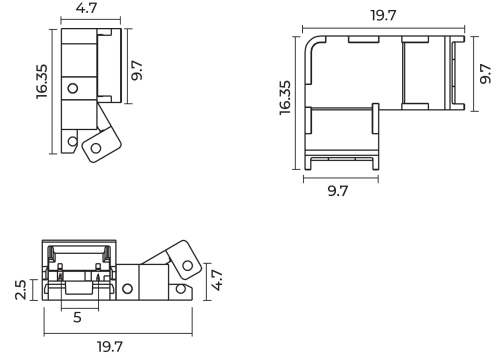
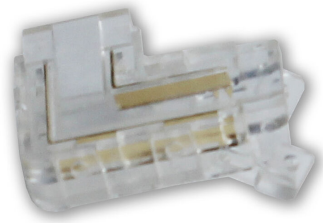


BL LED connector - Strip to Strip 90D

BL LED connector 2-pin LED strip to LED strip 90D

Article no.: 172091



Rated voltage



Degree of protection (IP),
mounted



Rated current In



Number of poles

TENDER TEXT

for single-color LED strips, 90° corner connector, strip width 8mm, max. 4A, IP20 BILTON LEDON Technology BL LED connector - Strip to Strip 90D 2 pole Article 172091 The connector is a 2 pole BL LED connector - Strip to Strip 90D with Schneidklemmanschluss. The connector has a IP20 protection class and the Connection type is: Leiterplatte zu Leiterplatte. Max. Rated current 4 A. Dimensions (L x W x H): 19.7 mm x 16.4 mm x 10 mm



BL LED connector - Strip to Strip 90D

BL LED connector 2-pin LED strip to LED strip 90D

Article no.: 172091



MECHANICAL DATA

Material housing	Kunststoff
Colour housing	farblos
Degree of protection (IP), mounted	IP20

ELECTRICAL DATA

Rated voltage [V]	24
Rated current I _n [A]	4

CONNECTION

Type of connection	Leiterplatte zu Leiterplatte
Number of poles	2
Type of electric connection	Schneidklemmanschluss

TEMPERATURE TECHNICAL DATA

Ambient/storage temperature [°C]	- 10 ... + 80
----------------------------------	---------------

PACKAGING INFORMATION

EAN	4250716952568
Article no.	172091
Net weight [g]	1
Gross weight [g]	79
Gross width [mm]	88.0
Gross height [mm]	88.0
Gross length [mm]	55.0
Customs tariff number	85444290
Net width [mm]	16.4
Net height [mm]	10
Net length [mm]	19.7
State of origin	CN

* Information about the electrical and lighting technology measurements: Performance data measured after 1 min. at 25 °C ambient temperature and a light colour of 4,000 K (or RGB). These values can have a tolerance value of +/- 10% (or +/- 15 %at ECO / TWO / RGB / AIR). Module length at 24 V input voltage at the module and luminous flux drop 10% over the specified length.

SAFETY INFORMATION: Read the safety and installation instructions carefully and completely before commissioning. The operating instructions can be found at: www.better-light.at

DISCLAIMER OF WARRANTY: The technical information corresponds to the status at the time of printing and have been worked out to the best of our knowledge. However, errors and printing errors are reserved. Make sure that you always use the latest version of the data sheets. The latest data sheet can be found at: www.better-light.at