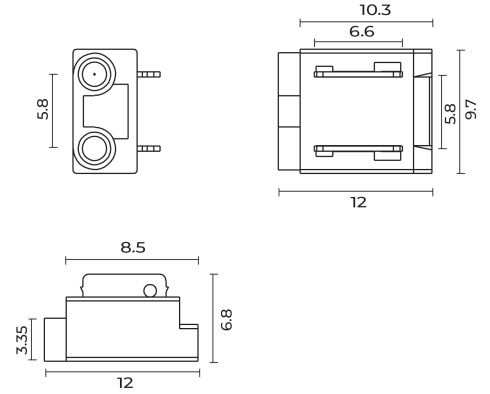
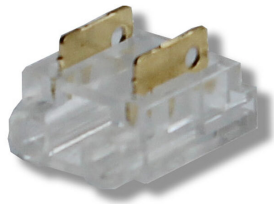


BL LED connector - cable

BL LED connector 2-pin cable to LED strip

Article no.: 172089



Rated voltage



Degree of protection (IP),
mounted



Rated current I_n



Number of poles

TENDER TEXT

for single-color LED strips, strip width 8mm, max. 4A at AWG20, cable diameter 1.85mm, IP20 BILTON LEDON Technology BL LED connector - cable 2 pole Article 172089 The connector is a 2 pole BL LED connector - cable with Schneidklemmanschluss. The connector has a IP20 protection class and the Connection type is: Printed circuit board to cable. Max. Rated current 4 A. Dimensions (L x W x H): 12 mm x 9.7 mm x 6.8 mm



BL LED connector - cable

BL LED connector 2-pin cable to LED strip

Article no.: 172089



MECHANICAL DATA

Material housing	Kunststoff
Colour housing	farblos
Degree of protection (IP), mounted	IP20

ELECTRICAL DATA

Rated voltage [V]	24
Rated current I _n [A]	4

CONNECTION

Type of connection	Printed circuit board to cable
Number of poles	2
Type of electric connection	Schneidklemmanschluss

TEMPERATURE TECHNICAL DATA

Ambient/storage temperature [°C]	- 10 ... + 80
----------------------------------	---------------

PACKAGING INFORMATION

EAN	4250716952544
Article no.	172089
Net weight [g]	0.5
Gross weight [g]	52
Gross width [mm]	88.0
Gross height [mm]	88.0
Gross length [mm]	55.0
Customs tariff number	85444995
Net width [mm]	9.7
Net height [mm]	6.8
Net length [mm]	12
State of origin	CN

* Information about the electrical and lighting technology measurements: Performance data measured after 1 min. at 25 °C ambient temperature and a light colour of 4,000 K (or RGB). These values can have a tolerance value of +/- 10% (or +/- 15 %at ECO / TWO / RGB / AIR). Module length at 24 V input voltage at the module and luminous flux drop 10% over the specified length.

NECESSARY ACCESSORIES

Article

Article no.

BL Anschlusskabel 2x0,5mm², rot-schwarz, Länge = 301775

BL LED connector - cable

BL LED connector 2-pin cable to LED strip

Article no.: 172089



SAFETY INFORMATION: Read the safety and installation instructions carefully and completely before commissioning. The operation can be found at: www.better-light.at

DISCLAIMER OF WARRANTY: The technical information corresponds to the status at the time of printing and have been worked out to the best of our knowledge. However, errors and printing errors are reserved. Make sure that you always use the latest version of the data sheets. The latest data sheet can be found at: www.better-light.at