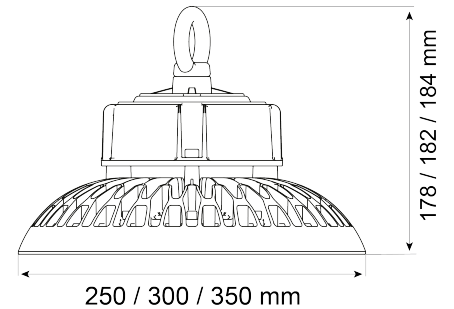


BL High Bays Pure

BL HB Pure 350 200W/110D/740 230V DALI BK

Article no.: 742077



gung / Mon

Type of fastening



IK08

Impact strength



IP65

Degree of protection (IP)

TENDER TEXT

Hallenleuchte, schwarz, Linsenoptik, inkl. DALI Konverter, 200W, 30000lm, 4000K, IP65, IK08Maße: 350x184mm BL High Bays Pure Article 742077 LED High Bay with integrated LED power supply - Yes ; Mounting type Surface / Suspension using Seilabhangung / Montagebugel , highly efficient lens optics made of Polycarbonate (PC) , cooling housing made of Aluminium black , excellent thermal management, suitable for ambient temperatures of -30 ... +40 °C, protection class IP65 , shock resistance IK08 , service life of 80000 h , luminous flux 30000 lm, connected load 200 W, color rendering >70 , color temperature 4000 K, Beam angle 110°, Shock resistance IK08 , Dimensions (L/W/H): 350.0 mm x 350.0 mm x 184 mm



BL High Bays Pure

BL HB Pure 350 200W/110D/740 230V DALI BK

Article no.: 742077



MECHANICAL DATA

Material housing	Aluminium
Colour housing	black
Width [mm]	350.0
Length [mm]	350.0
Height/depth [mm]	184
Diameter [mm]	350
Mounting method	Surface / Suspension
Lamp type	LED nicht austauschbar
Type of fastening	Seilabhängung / Montagebügel
Material of the cover	Polycarbonate (PC)
Impact strength	IK08
Degree of protection (IP)	IP65
With lamp	Yes
Control gear included	Yes
Suspension included in delivery	nein

ELECTRICAL DATA

Protection class	III
Voltage type	AC
Nominal voltage [V]	100 - 277
Operating frequency [Hz]	50 / 60
Overall efficiency [lm/W]	150
Nennstrom [A]	2,7
Max. system power [W]	200
Power factor	0.95
Dimming DALI	Yes

LIGHT TECHNICAL DATA

Beam angle [°]	110
Colour rendering index CRI	>70
Light exit	direkt
Light distribution	Symmetrical
Rated luminous flux according to IEC 62722-2-1 [lm]	30000
Colour temperature [K]	4000
Colour of light	White
Colour consistency (McAdam ellipse)	SDCM6
Flicker-free	Yes

TEMPERATURE TECHNICAL DATA

Impact strength	IK08
-----------------	------

BL High Bays Pure

BL HB Pure 350 200W/110D/740 230V DALI BK

Article no.: 742077



Ambient temperature during operating [°C]	- 30 ... + 40
Rated life time L80/B10 at 25 °C [h]	80000

PACKAGING INFORMATION

EAN	9009453033154
Article no.	742077
Net weight [g]	3800
Gross weight [g]	4525
Gross width [mm]	390.0
Gross height [mm]	200.0
Gross length [mm]	390.0
Net width [mm]	350.0
Net height [mm]	184
Net length [mm]	350
State of origin	CN

SAFETY INFORMATION: Read the safety and installation instructions carefully and completely before commissioning. The operating instructions can be found at: www.better-light.at

DISCLAIMER OF WARRANTY: The technical information corresponds to the status at the time of printing and have been worked out to the best of our knowledge. However, errors and printing errors are reserved. Make sure that you always use the latest version of the data sheets. The latest data sheet can be found at: www.better-light.at