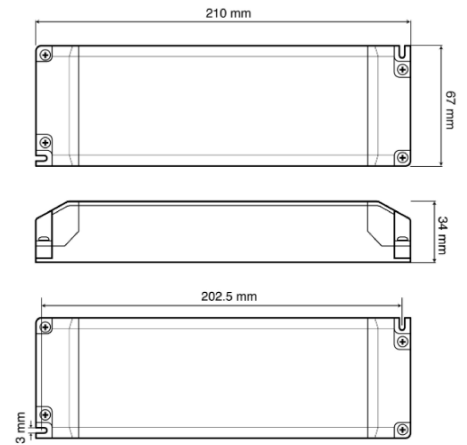


Drive Dim Triac

BL drive DIM TRIAC 100 W 24 V IP20 power supply unit

Article no.: 171659



Output voltage range



Output power range



Degree of protection (IP)

TENDER TEXT

LED power supply, white, 24V, 220-240VAC, IP20, constant voltage, TRIAC, 100W BILTON LEDON Technology power supply Drive Dim Triac Article 171659 The power supply can be used up to 33 - 100 W output power and 24 V output voltage. The supply voltage of the power supply is 198 - 264 V and has a IP20 protection class and protection class II . Rotary knob not included / TRIAC = Phase-cut dimmable Dimension (L x W x H): 210.0 mm x 67.0 mm x 34.0 mm



Drive Dim Triac

BL drive DIM TRIAC 100 W 24 V IP20 power supply unit

Article no.: 171659



MECHANICAL DATA

Housing	Kunststoffgehäuse
Width [mm]	67.0
Length [mm]	210.0
Height [mm]	34.0
Colour	White
Model	dynamisch
Control signal	ohne
Suitable for outdoor use	nein
Degree of protection (IP)	IP20
Core cross section [mm ²]	0,75 - 2,5

ELECTRICAL DATA

Protection class	II
Voltage type	AC / DC
Number of channels	1
Control signal	ohne
Input voltage range [V]	198 - 264
Output voltage range [V]	24
Output power range [W]	33 - 100
Frequency supply voltage (range) [Hz]	50 - 60
Output current range [mA]	1,4 - 4,2
Suitable for constant current	nein
Suitable for constant voltage	Yes
Power factor	0.95

CONNECTION

Number of channels	1
Core cross section [mm ²]	0,75 - 2,5

TEMPERATURE TECHNICAL DATA

Ambient temperature during operating [°C]	- 20 ... + 45
Lifespan at 20 °C [h]	50000

PACKAGING INFORMATION

EAN	4250716953824
Article no.	171659
Net weight [g]	540
Gross weight [g]	540
Customs tariff number	85044083
Net width [mm]	67.0

Drive Dim Triac

BL drive DIM TRIAC 100 W 24 V IP20 power supply unit

Article no.: 171659



Net height [mm]	34
-----------------	----

Net length [mm]	210
-----------------	-----

State of origin	CN
-----------------	----

SAFETY INFORMATION: Read the safety and installation instructions carefully and completely before commissioning. The operating instructions can be found at: www.better-light.at

DISCLAIMER OF WARRANTY: The technical information corresponds to the status at the time of printing and have been worked out to the best of our knowledge. However, errors and printing errors are reserved. Make sure that you always use the latest version of the data sheets. The latest data sheet can be found at: www.better-light.at