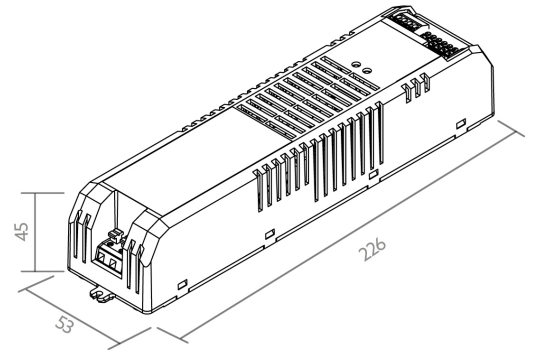


BL Drive DIM DALI

BL Dimmer SXT 230VAC 100W for LED strip IP20 DALI

Article no.: 101647



Input voltage range



Output power range



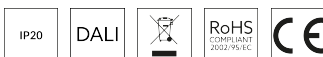
Control signal



Output current range

TENDER TEXT

1-4 channel LED dimmer for constant voltage 24VDC. Maximum total output 100W at 24VDC (max. 4A). Input voltage 230VAC/50Hz. DALI control signal. PWM frequency 600Hz. Protection class IP20. Protection class III. dimensions LxWxH = 226x53x45mm LED dimmer BILTON LEDON Technology BL Drive DIM DALI DALI Article 101647 The BL Drive DIM DALI series is a 1- to 4 channel LED dimmer for modules in constant current operation. The total load of max. 4000 mA can be freely distributed to these 4 channels. The controller is operated with DALI and 220 - 240 V and has an output voltage of 24 VDC. The power dissipation in stand-by is 0.5 W. The dimming frequency of the PWM signal is 600 Hz. Protection degree IP20 and protection class III . Dimension (L x W x H): 226.0 mm x 53.0 mm x 45.0 mm



BL Drive DIM DALI

BL Dimmer SXT 230VAC 100W for LED strip IP20 DALI

Article no.: 101647



MECHANICAL DATA

Housing	Kunststoffgehäuse
Width [mm]	53.0
Length [mm]	226.0
Height [mm]	45.0
Model	dynamisch
Control signal	DALI
With overheating protection	yes
Suitable for outdoor use	nein
Degree of protection (IP)	IP20
Core cross section [mm ²]	0,75 - 1,5

ELECTRICAL DATA

Protection class	III
Dimming frequency [Hz]	600
Voltage type	AC
Number of channels	4
Control signal	DALI
With overheating protection	yes
Input voltage range [V]	220 - 240
Output voltage range [V]	24
Output power range [W]	100
Output current range [mA]	4000
Type of dimming	DALI
Overload protection	yes
Standby power consumption (solstandby) [W]	0.5
Suitable for constant current	nein
Suitable for constant voltage	yes
Suitable for DC-voltage (primary side)	nein

CONNECTION

Number of channels	4
Core cross section [mm ²]	0,75 - 1,5

TEMPERATURE TECHNICAL DATA

Ambient/storage temperature [°C]	- 20 ... + 50
Operation temperature at Tc [°C]	0 ... + 50
Ambient temperature during operating [°C]	- 5 ... + 45
Lifespan at 20 °C [h]	40000

PACKAGING INFORMATION

BL Drive DIM DALI

BL Dimmer SXT 230VAC 100W for LED strip IP20 DALI

Article no.: 101647



Article no.	101647
Net weight [g]	352
Gross weight [g]	395
Gross width [mm]	58.0
Gross height [mm]	50.0
Gross length [mm]	252.0
Customs tariff number	85423190
Net width [mm]	53.0
Net height [mm]	45
Net length [mm]	226
State of origin	SI

NECESSARY ACCESSORIES

Article	Article no.
DALI Controller	170217
DALI USB Interface	170223

SAFETY INFORMATION: Read the safety and installation instructions carefully and completely before commissioning. The operating instructions can be found at: www.better-light.at

DISCLAIMER OF WARRANTY: The technical information corresponds to the status at the time of printing and have been worked out to the best of our knowledge. However, errors and printing errors are reserved. Make sure that you always use the latest version of the data sheets. The latest data sheet can be found at: www.better-light.at