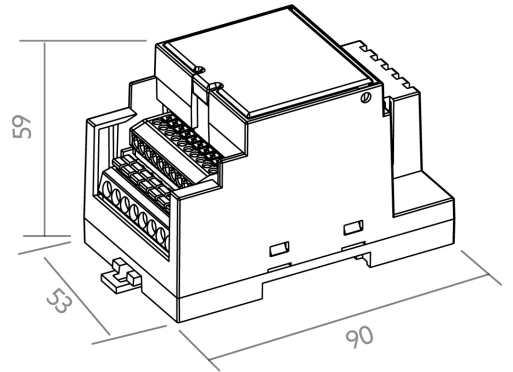
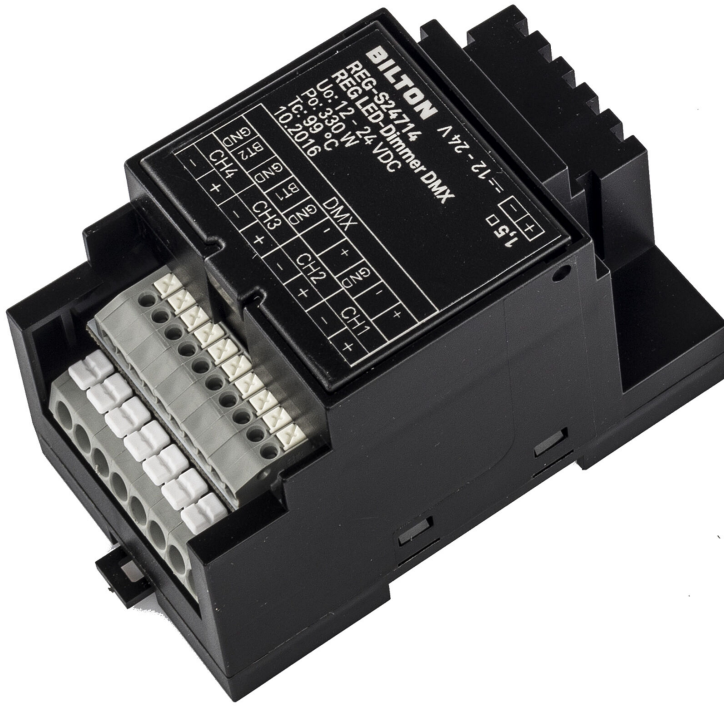


# DMX / Analog

BL Dimmer REG 12-24VDC 330W for LED strip IP20 DMX ANALOG

Article no.: 101672



Input voltage range



Output power range



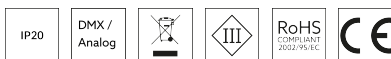
Control signal



Output current range

## TENDER TEXT

1-4 channel LED dimmer for constant voltage 24VDC. Maximum total output 330W at 24VDC (max. 14A). Input voltage 12-24VDC. Control signal DMX or analogue (0-10V). PWM frequency 600Hz. Protection class IP20. Protection class III. dimensions LxWxH = 52x90x59mm LED dimmer BILTON LEDON Technology DMX / Analog DMX/Analog Article 101672 The DMX / Analog series is a 1- to 4 channel LED dimmer for modules in constant current operation. The total load of max. 14000 mA can be freely distributed to these 4 channels. The controller is operated with DMX/Analog and 12 - 24 V and has an output voltage of 12-24 VDC. The power dissipation in stand-by is 0.5 W. The dimming frequency of the PWM signal is 600 Hz. Protection degree IP20 and protection class III. Dimension (L x W x H): 52.0 mm x 90.0 mm x 59.0 mm



# DMX / Analog

BL Dimmer REG 12-24VDC 330W for LED strip IP20 DMX ANALOG

Article no.: 101672



## MECHANICAL DATA

Housing	Kunststoffgehäuse
Width [mm]	90.0
Length [mm]	52.0
Height [mm]	59.0
Model	dynamisch
Control signal	DMX / Analog
With overheating protection	yes
Suitable for outdoor use	nein
Degree of protection (IP)	IP20
Core cross section [mm <sup>2</sup> ]	0,75 - 1,5

## ELECTRICAL DATA

Protection class	III
Dimming frequency [Hz]	600
Voltage type	DC
Number of channels	4
Control signal	DMX / Analog
With overheating protection	yes
Input voltage range [V]	12 - 24
Output voltage range [V]	12 - 24
Output power range [W]	336
Output current range [mA]	14000
Type of dimming	DMX
Overload protection	yes
Standby power consumption (solstandby) [W]	0.5
Suitable for constant current	nein
Suitable for constant voltage	yes
Suitable for DC-voltage (primary side)	yes

## CONNECTION

Number of channels	4
Core cross section [mm <sup>2</sup> ]	0,75 - 1,5

## TEMPERATURE TECHNICAL DATA

Ambient/storage temperature [°C]	- 20 ... + 50
Operation temperature at Tc [°C]	0 ... + 50
Ambient temperature during operating [°C]	- 5 ... + 45
Lifespan at 20 °C [h]	45000

## PACKAGING INFORMATION

# DMX / Analog

## BL Dimmer REG 12-24VDC 330W for LED strip IP20 DMX ANALOG

Article no.: 101672



Article no.	101672
Net weight [g]	119
Gross weight [g]	173
Gross width [mm]	80.0
Gross height [mm]	80.0
Gross length [mm]	110.0
Customs tariff number	85423190
Net width [mm]	90.0
Net height [mm]	59
Net length [mm]	52
State of origin	SI

## NECESSARY ACCESSORIES

Article	Article no.
<b>BASE Controller DMX</b>	<b>101652</b>
<b>Power Supply Drive 60</b>	<b>170807</b>

SAFETY INFORMATION: Read the safety and installation instructions carefully and completely before commissioning. The operating instructions can be found at: [www.better-light.at](http://www.better-light.at)

DISCLAIMER OF WARRANTY: The technical information corresponds to the status at the time of printing and have been worked out to the best of our knowledge. However, errors and printing errors are reserved. Make sure that you always use the latest version of the data sheets. The latest data sheet can be found at: [www.better-light.at](http://www.better-light.at)