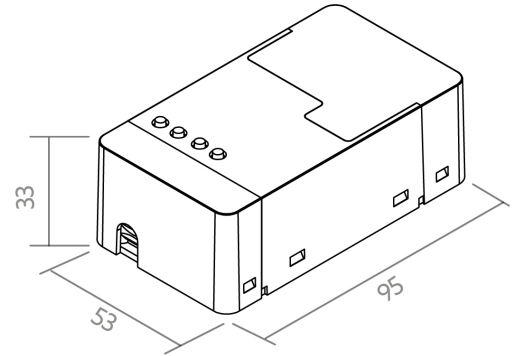


BL DIM Basic KNX

BL Dimmer BASIC 12-24VDC 240W for LED strip IP20 KNX

Article no.: 101645



Input voltage range



Output power range



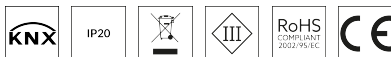
Control signal



Output current range

TENDER TEXT

1-4 channel LED dimmer for constant voltage 12-24VDC. Maximum total output 240W at 24VDC (max. 10A). Input voltage 12-24VDC. KNX control signal. PWM frequency 600Hz. Protection class IP20. Protection class III. dimensions LxWxH = 95x53x33mm LED dimmer BILTON LEDON Technology BL DIM Basic KNX KNX Article 101645 The BL DIM Basic KNX series is a 1- to 4 channel LED dimmer for modules in constant current operation. The total load of max. 10000 mA can be freely distributed to these 4 channels. The controller is operated with KNX and 12 - 24 V and has an output voltage of 12-24 VDC. The power dissipation in stand-by is 0.5 W. The dimming frequency of the PWM signal is 600 Hz. Protection degree IP20 and protection class III. Dimension (L x W x H): 95.0 mm x 53.0 mm x 33.0 mm



BL DIM Basic KNX

BL Dimmer BASIC 12-24VDC 240W for LED strip IP20 KNX

Article no.: 101645



MECHANICAL DATA

Housing	Kunststoffgehäuse
Width [mm]	53.0
Length [mm]	95.0
Height [mm]	33.0
Mounting method	sonstige
Colour	black
Model	dynamisch
Control signal	KNX
With overheating protection	Yes
Suitable for outdoor use	nein
Degree of protection (IP)	IP20
Core cross section [mm ²]	0,75 - 1,5

ELECTRICAL DATA

Protection class	III
Dimming frequency [Hz]	600
Voltage type	DC
Number of channels	4
Control signal	KNX
With overheating protection	Yes
Input voltage range [V]	12 - 24
Output voltage range [V]	12 - 24
Output power range [W]	240
Output current range [mA]	10000
Type of dimming	sonstige
Overload protection	Yes
Standby power consumption (solstandby) [W]	0.5
Suitable for constant current	nein
Suitable for constant voltage	Yes
Suitable for DC-voltage (primary side)	Yes

CONNECTION

Number of channels	4
Core cross section [mm ²]	0,75 - 1,5

TEMPERATURE TECHNICAL DATA

Ambient/storage temperature [°C]	- 20 ... + 50
Operation temperature at Tc [°C]	0 ... + 50
Ambient temperature during operating [°C]	- 5 ... + 45
Lifespan at 20 °C [h]	45000

BL DIM Basic KNX

BL Dimmer BASIC 12-24VDC 240W for LED strip IP20 KNX

Article no.: 101645



PACKAGING INFORMATION

Article no.	101645
Net weight [g]	88
Gross weight [g]	175.8
Gross width [mm]	58.0
Gross height [mm]	50.0
Gross length [mm]	252.0
Customs tariff number	85423190
Net width [mm]	53.0
Net height [mm]	33
Net length [mm]	95
State of origin	SI

NECESSARY ACCESSORIES

Article	Article no.
Power Supply Drive 60	170807

SAFETY INFORMATION: Read the safety and installation instructions carefully and completely before commissioning. The operating instructions can be found at: www.better-light.at

DISCLAIMER OF WARRANTY: The technical information corresponds to the status at the time of printing and have been worked out to the best of our knowledge. However, errors and printing errors are reserved. Make sure that you always use the latest version of the data sheets. The latest data sheet can be found at: www.better-light.at