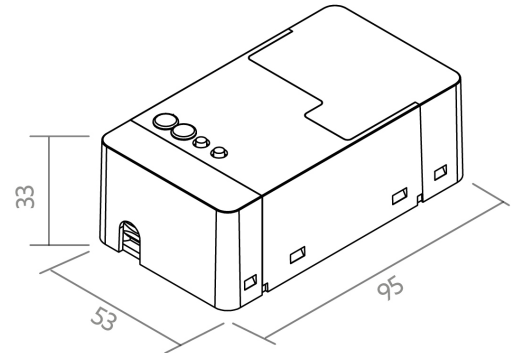


BL DIM Basic DALI

BL Dimmer BASIC 12-24VDC 240W for LED strip IP20 DALI SWITCH

Article no.: 101639



Input voltage range



Output power range



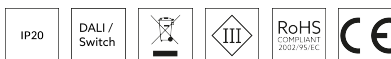
Control signal



Output current range

TENDER TEXT

1-4 channel LED dimmer for constant voltage 12-24VDC. Maximum total output 240W at 24VDC (max. 10A). Input voltage 12-24VDC. Control signal DALI or Switch Dimm. PWM frequency 600Hz. Protection class IP20. Protection class III. dimensions LxWxH = 95x53x33mm LED dimmer BILTON LEDON Technology BL DIM Basic DALI DALI/Switch Article 101639 The BL DIM Basic DALI series is a 1- to 4 channel LED dimmer for modules in constant current operation. The total load of max. 10000 mA can be freely distributed to these 4 channels. The controller is operated with DALI/Switch and 12 - 24 V and has an output voltage of 12-24 VDC. The power dissipation in stand-by is 0.5 W. The dimming frequency of the PWM signal is 600 Hz. Protection degree IP20 and protection class III. Dimension (L x W x H): 95.0 mm x 53.0 mm x 33.0 mm



BL DIM Basic DALI

BL Dimmer BASIC 12-24VDC 240W for LED strip IP20 DALI SWITCH

Article no.: 101639



MECHANICAL DATA

Housing	Kunststoffgehäuse
Width [mm]	53.0
Length [mm]	95.0
Height [mm]	33.0
Colour	Black
Model	dynamisch
Control signal	DALI / Switch
With overheating protection	yes
Suitable for outdoor use	nein
Degree of protection (IP)	IP20
Core cross section [mm ²]	0,75 - 1,5

ELECTRICAL DATA

Protection class	III
Dimming frequency [Hz]	600
Voltage type	DC
Number of channels	4
Control signal	DALI / Switch
With overheating protection	yes
Input voltage range [V]	12 - 24
Output voltage range [V]	12 - 24
Output power range [W]	240
Output current range [mA]	10000
Type of dimming	DALI
Overload protection	yes
Standby power consumption (solstandby) [W]	0.5
Suitable for constant current	nein
Suitable for constant voltage	yes
Suitable for DC-voltage (primary side)	yes
Dimming DALI	yes
Dimming Touch and Dim	yes

CONNECTION

Number of channels	4
Core cross section [mm ²]	0,75 - 1,5

TEMPERATURE TECHNICAL DATA

Ambient/storage temperature [°C]	- 20 ... + 50
Operation temperature at Tc [°C]	0 ... + 50
Ambient temperature during operating [°C]	- 5 ... + 45

BL DIM Basic DALI

BL Dimmer BASIC 12-24VDC 240W for LED strip IP20 DALI SWITCH

Article no.: 101639



Lifespan at 20 °C [h]	45000
-----------------------	-------

PACKAGING INFORMATION

Article no.	101639
-------------	--------

Net weight [g]	93
----------------	----

Gross weight [g]	142
------------------	-----

Gross width [mm]	58.0
------------------	------

Gross height [mm]	50.0
-------------------	------

Gross length [mm]	252.0
-------------------	-------

Customs tariff number	85423190
-----------------------	----------

Net width [mm]	53.0
----------------	------

Net height [mm]	33
-----------------	----

Net length [mm]	95
-----------------	----

State of origin	SI
-----------------	----

NECESSARY ACCESSORIES

Article	Article no.
---------	-------------

DALI Controller	170217
------------------------	---------------

DALI Power Supply	170229
--------------------------	---------------

SAFETY INFORMATION: Read the safety and installation instructions carefully and completely before commissioning. The operating instructions can be found at: www.better-light.at

DISCLAIMER OF WARRANTY: The technical information corresponds to the status at the time of printing and have been worked out to the best of our knowledge. However, errors and printing errors are reserved. Make sure that you always use the latest version of the data sheets. The latest data sheet can be found at: www.better-light.at