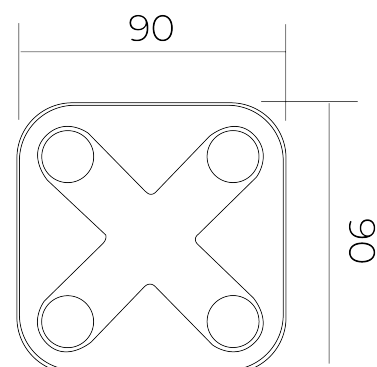


# Casambi controls

BL Casambi control element for LED strip white

Article no.: 171933



---

## TENDER TEXT

Wireless switch and remote control in one device, Casambi, incl. mounting plate, white, incl. CR2430 lithium coin battery BILTON LEDON Technology Casambi controls Article 171933 The controller Casambi controls is operated with Casambi and is served with a Funk . The controller and has an output voltage of .The power dissipation in stand-by is . Dimension (L x W x H): 12 mm x 90 mm x 90 mm

---

Casambi

# Casambi controls

## BL Casambi control element for LED strip white

Article no.: 171933



## MECHANICAL DATA

Material	Kunststoff
Width of device [mm]	90
Height of device [mm]	90
Depth of device [mm]	12
Mounting method	Module frame
Colour	White
Control signal	Casambi
Type of fastening	Magnet
Applicable with movement sensor	nein
Applicable with transmission button	Yes
Applicable with infrared button	nein
Applicable with presence indicator	nein
Applicable with button	nein
Surface finishing	matt
Suitable for degree of protection (IP)	IP20

## ELECTRICAL DATA

Control signal	Casambi
----------------	---------

SAFETY INFORMATION: Read the safety and installation instructions carefully and completely before commissioning. The operating instructions can be found at: [www.better-light.at](http://www.better-light.at)

DISCLAIMER OF WARRANTY: The technical information corresponds to the status at the time of printing and have been worked out to the best of our knowledge. However, errors and printing errors are reserved. Make sure that you always use the latest version of the data sheets. The latest data sheet can be found at: [www.better-light.at](http://www.better-light.at)