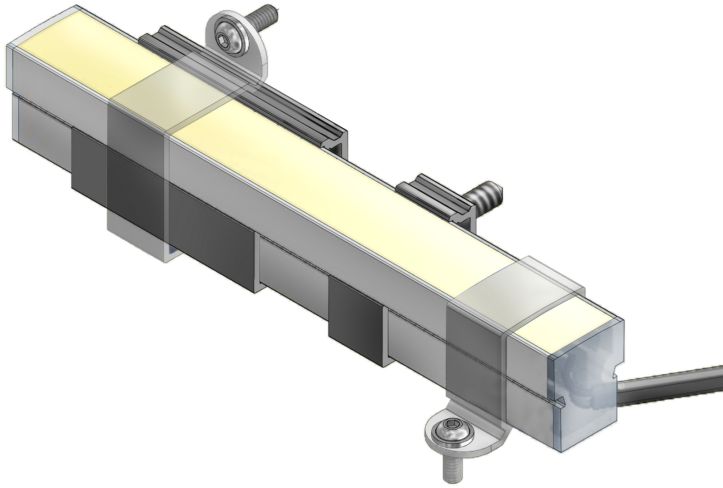


BL AIR SIDE TW

BL AIR Side LED tube 400lm/m 24VDC 9.9W/m IP67 823-842 5m Colour Cha.

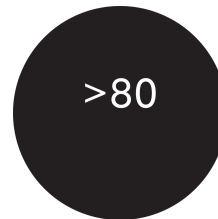
Article no.: 102147



Lamp voltage



Max. length



Colour rendering index CRI



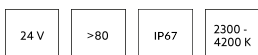
Luminous flux per meter

TENDER TEXT

AIR SIDE LED lighth tube, LED strip in silicone sheath, 400 lm/m, curved bend to light emission surface, cable connection on one side, straight cable outlet, 24VDC 9.9W/m IP67 CRI>80 2300-4200K Colour Change White 5m LED module BL AIR SIDE TW Article 102147 The BL AIR SIDE TW LED light tube has a luminous flux of 400 lm at a power of 9.9 W, which results in an efficiency of 40 lm/W. With a nominal voltage of 24 V DC at the connection, a maximum module length of 5045 mm can be achieved. In terms of lighting, the module has a color temperature of 2300-4200 K and a beam angle of 120°. All with a color rendering index of >80 and a binning selection according to SDCM3 (MacAdams). The light strip can be divided every 50.0 mm, resulting in an LED spacing of 10.71 mm. Protection class IP67, Smallest possible bending radius 200 mm. At an ambient temperature of 85°C, a service life of 50,000 hours can still be guaranteed. Up to 95°C, the service life is 30,000 hours and at temperatures of 100°C it is still 16,000 hours (L70B50). Dimensions (L x W x H): 5045.0 mm x 13.2 mm x 16.0 mm

TOP-FEATURES

- //_ Homogeneously luminous light line without visible light points
- //_ IP67 -protection in highly flexible silicone jacket
- //_ New connection: the end caps close straight to the profile



BL AIR SIDE TW

BL AIR Side LED tube 400lm/m 24VDC 9.9W/m IP67 823-842 5m Colour Cha.

Article no.: 102147



MECHANICAL DATA

Width [mm]	13.2
Length [mm]	5045.0
Height/depth [mm]	16
Height [mm]	16.0
Colour	white
Model	Schlauch
Self-adhesive	nein
Lamp type	LED nicht austauschbar
Distance [mm]	10.71
Distance relating to	LED zu LED
Degree of protection (IP)	IP67
Length of particular segments [mm]	50.0
Lowest bending radius [mm]	200
Number of lamps per meter	187

ELECTRICAL DATA

Protection class	III
Voltage type	DC
Lamp voltage [V]	24
Input voltage range [V]	23 - 25
Lamp power per meter [W]	9.9
Overall efficiency [lm/W]	40

LIGHT TECHNICAL DATA

Beam angle [°]	120
Colour rendering index CRI	>80
Colour temperature [K]	2300 - 4200
Colour of light	white
Luminous flux per meter [lm]	400
Colour consistency (McAdam ellipse)	SDCM3

CONNECTION

Conductor cross section [mm ²]	0.5
Number of poles	2
Max. length [mm]	5045

TEMPERATURE TECHNICAL DATA

Ambient/storage temperature [°C]	- 20 ... + 55
Ambient temperature during operating [°C]	- 20 ... + 55
Rated life time L80/B10 at 25 °C [h]	50000

BL AIR SIDE TW

BL AIR Side LED tube 400lm/m 24VDC 9.9W/m IP67 823-842 5m Colour Cha.

Article no.: 102147



PACKAGING INFORMATION

EAN	4250716944877
Article no.	102147
Net weight [g]	609
Gross weight [g]	609
Gross width [mm]	330.0
Gross height [mm]	27.0
Gross length [mm]	330.0
Customs tariff number	94054039
Net width [mm]	13.2
Net height [mm]	16
Net length [mm]	5045
State of origin	AT

* Information about the electrical and lighting technology measurements: Performance data measured after 1 min. at 25 °C ambient temperature and a light colour of 4,000 K (or RGB). These values can have a tolerance value of +/- 15%. Module length at 24 V input voltage at the module and luminous flux drop 10% over the specified length.

SAFETY INFORMATION: Read the safety and installation instructions carefully and completely before commissioning. The operating instructions can be found at: www.better-light.at

DISCLAIMER OF WARRANTY: The technical information corresponds to the status at the time of printing and have been worked out to the best of our knowledge. However, errors and printing errors are reserved. Make sure that you always use the latest version of the data sheets. The latest data sheet can be found at: www.better-light.at