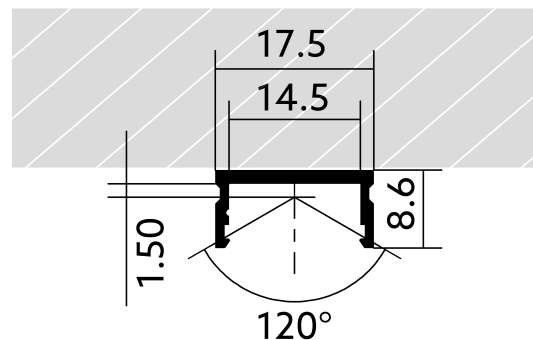


Support profile YT02

BLPYT02012600001750086

Article no.: 170330



Material



Power consumption



Height



Width

TENDER TEXT

BL Profile YT02 Support 12W/m L6000xB17,5xH8,6mm BILTON LEDON TechnologySupport profile YT02 Article 170330 The Support profile YT02 can be combined with all covers from the YT family. The profile is made of Aluminium with an finish and has a power consumption of up to 12 W. Dimensions (L x W x H): 6000.0 mm x 17.5 mm x 8.6 mm Please note that cutting tolerances of +/- 2mm may occur.

Support profile YT02

BLPYT02012600001750086

Article no.: 170330



MECHANICAL DATA

Material	Aluminium
Width [mm]	17.5
Length [mm]	6000.0
Height [mm]	8.6
Mounting method	Aufbau
Colour	lichtgrau
Power consumption [W]	12
Material quality	sonstige
Surfacetreatment	anodisiert / eloxiert

TEMPERATURE TECHNICAL DATA

Power consumption [W]	12
Thermal conductivity	23.4

PACKAGING INFORMATION

EAN	4250716912715
Article no.	170330
Net weight [g]	19.83
Gross weight [g]	19.83
Gross width [mm]	17.5
Gross height [mm]	8.6
Gross length [mm]	6000.0
Customs tariff number	76042990
Net width [mm]	17.5
Net height [mm]	8.6
Net length [mm]	6000
State of origin	TR

NECESSARY ACCESSORIES

Article	Article no.
Endcap YT00	170459
Endcap YT00U-A	170465
Clip steel YTC5	170468
Magnet steel YTM5	170470

SAFETY INFORMATION: Read the safety and installation instructions carefully and completely before commissioning. The operating instructions can be found at: www.better-light.at

DISCLAIMER OF WARRANTY: The technical information corresponds to the status at the time of printing and have been worked out to the best of our knowledge. However, errors and printing errors are reserved. Make sure that you always use the latest version of the data sheets. The latest data sheet can be found at: www.better-light.at

Gewerbepark Harham 2, 5760 Saalfelden | Austria | Phone: +43 6582 71164 | Mail: office@bltechnology.at
Version: 20260615 | Errors and printing errors are reserved.

Support profile YT02

BLPYT02012600001750086

Article no.: 170330



be found at: www.better-light.at