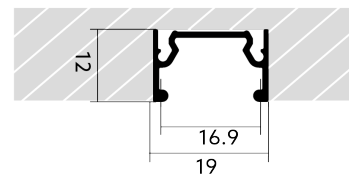
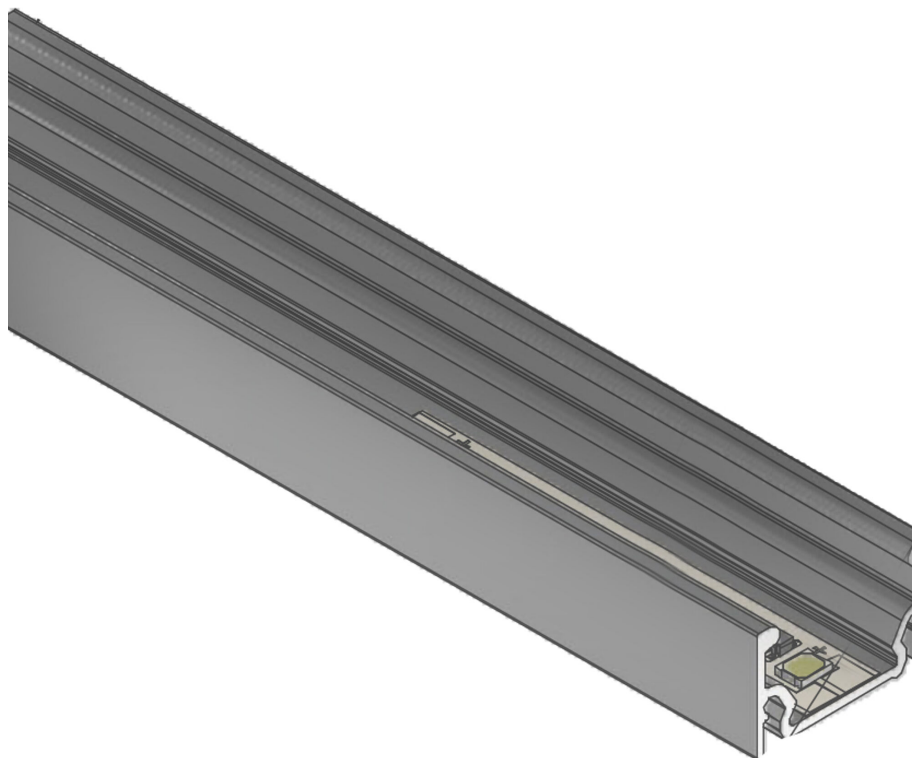


Installation profile MT02

BLPMT020XX200001890119

Article no.: 171239



Height



Width

TENDER TEXT

BL Profile MT02 Support XXW/m L2000xB18,9xH11,9mm BILTON LEDON Technology Installation profile MT02 Article 171239 The Installation profile MT02 can be combined with all covers from the MT family. The profile is made of with an finish and has a power consumption of up to . Dimensions (L x W x H): 2000.0 mm x 18.9 mm x 11.9 mm Please note that cutting tolerances of +/- 2mm may occur.

Installation profile MT02

BLPMT020XX200001890119

Article no.: 171239



MECHANICAL DATA

Width [mm]	18.9
Length [mm]	2000.0
Height [mm]	11.9
Mounting method	Aufbau
Colour	lichtgrau
Surfacetreatment	anodisiert / eloxiert

PACKAGING INFORMATION

EAN	4250716942170
Article no.	171239
Net weight [g]	344
Gross weight [g]	344
Gross width [mm]	18.9
Gross height [mm]	11.9
Gross length [mm]	2000.0
Customs tariff number	94054239
Net width [mm]	18.9
Net height [mm]	11.9
Net length [mm]	2000

NECESSARY ACCESSORIES

Article	Article no.
Endcap XT00U-E	170453
Spring steel XTC2	170455
Clip steel XTC5	170457
Magnet steel XTM1	170458
Endcap XT001	170599

SAFETY INFORMATION: Read the safety and installation instructions carefully and completely before commissioning. The operating instructions can be found at: www.better-light.at

DISCLAIMER OF WARRANTY: The technical information corresponds to the status at the time of printing and have been worked out to the best of our knowledge. However, errors and printing errors are reserved. Make sure that you always use the latest version of the data sheets. The latest data sheet can be found at: www.better-light.at