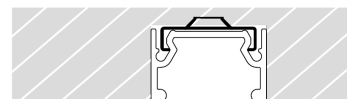
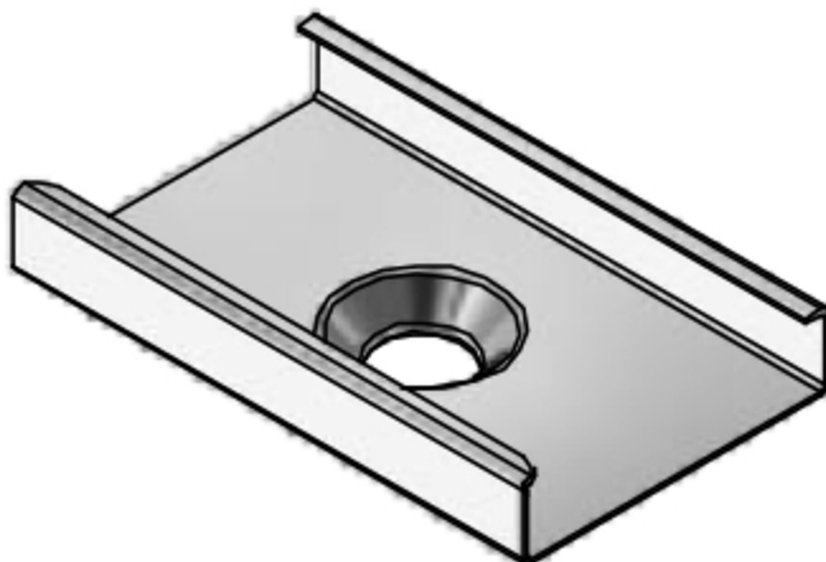


Mounting clip MTC5

BLMOUMTCLSTL2401450050

Article no.: 171250



24.0

mm

Length

5.0

mm

Height

14.5

mm

Width

TENDER TEXT

BILTON MOUNTING MT Clip steel L24xB14,5xH5mm Accessories Mounting clip MTC5 Article 171250 The accessories Mounting clip MTC5 consists of Edelstahl with a Edelstahl surface and it is easy to assemble. Dimension (L x W x H): 24.0 mm x 14.5 mm x 5.0 mm

Mounting clip MTC5

BLMOUMTCLSTL2401450050

Article no.: 171250



MECHANICAL DATA

Material	Edelstahl
Width [mm]	14.5
Length [mm]	24.0
Height [mm]	5.0
Colour	Edelstahl
Type of accessory	Montageplatte
Transparent	nein
Accessory	yes

PACKAGING INFORMATION

EAN	4250716942286
Article no.	171250
Customs tariff number	73089098
Net width [mm]	14.5
Net height [mm]	5
Net length [mm]	24

SAFETY INFORMATION: Read the safety and installation instructions carefully and completely before commissioning. The operating instructions can be found at: www.better-light.at

DISCLAIMER OF WARRANTY: The technical information corresponds to the status at the time of printing and have been worked out to the best of our knowledge. However, errors and printing errors are reserved. Make sure that you always use the latest version of the data sheets. The latest data sheet can be found at: www.better-light.at