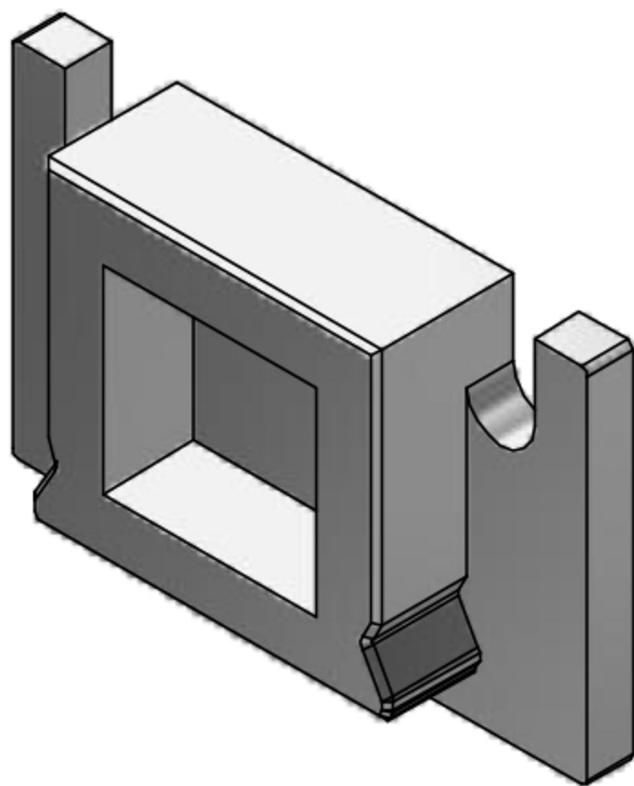


Endcap MT002

BLCAPMT02C01RES0045001890119015000000

Article no.: 171247



4.5
mm

Length

grau

Colour

10
mm

Net height

TENDER TEXT

BILTON ENDCAP für MT02 + Cover flat Resin L4,5xB18,9xH11,9 IN-Dim 1,5mm without drill hole BILTON LEDON Technology Endcap MT002 Article 171247 The Endcap MT002 consists of sonstige and has a grau . Easy installation via into the profile. Dimension (L x W x H): 4.5 mm x x 10 mm

Endcap MT002

BLCAPMT02C01RES00450018901190150O0000

Article no.: 171247



MECHANICAL DATA

Material	sonstige
Width [mm]	18.9
Length [mm]	4.5
Colour	grau
Model	Endkappe
Suitable for	U - Profil

PACKAGING INFORMATION

EAN	4250716942255
Article no.	171247
Net weight [g]	0.8
Gross weight [g]	0.8
Net width [mm]	18.0
Net height [mm]	10
Net length [mm]	20
State of origin	AT

SAFETY INFORMATION: Read the safety and installation instructions carefully and completely before commissioning. The operating instructions can be found at: www.better-light.at

DISCLAIMER OF WARRANTY: The technical information corresponds to the status at the time of printing and have been worked out to the best of our knowledge. However, errors and printing errors are reserved. Make sure that you always use the latest version of the data sheets. The latest data sheet can be found at: www.better-light.at